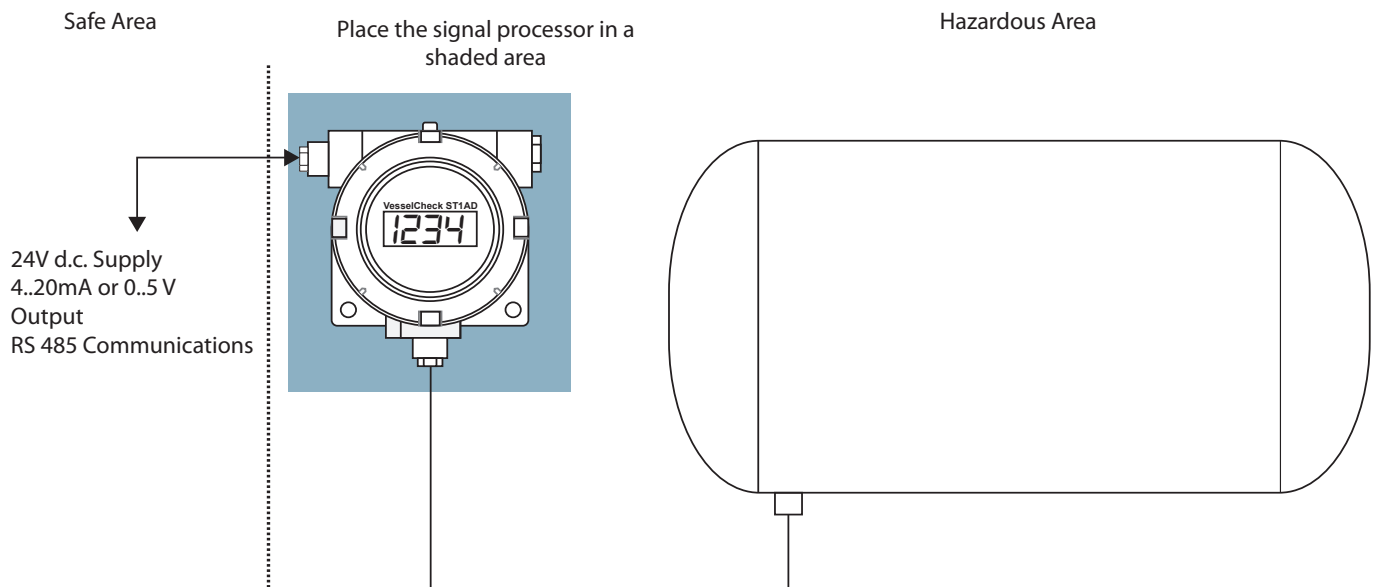
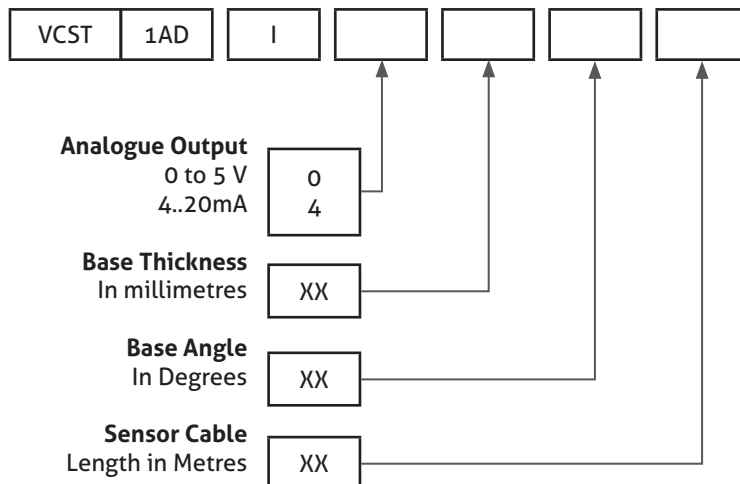


Vessel Check ST1AD -Technical Specification

Accuracy	Depends on liquid and temperature range
Measuring Range	Up to 3000mm / 10 feet
Temperature Range (sensors)	-20°C to +125°C / - 4°F to 257°F
Hazardous Area Approval (processor/display)	IECEX BAS 10.0080 Exd IIC T5 (-20°C <Ta<+60°C)
Hazardous Area Approval (sensor)	Ex mb IIC T5 Gb (-20°C ≤ Ta ≤ 60°C) Cert No. IECEx BAS 11.00.0039X
Sensor Material	Tufnol with stainless steel cladding
Analogue Output	0..5v / 4...20mA
Serial Communications	Modbus RS485 RTU / ASCII
Power Supply	12 to 24Vdc
Protection Rating	IP66



Product Identification Code (PIC)



VesselCheck Range Overview

Typical Application	Maximum Height	Number of Tanks	Hazardous Area Approval	Display	Variants
High accuracy: beer, spirits, acids, solvents, water, LPG spheres, wine	20 metres	2	Optional	Optional	ST2
Less accurate: LPG spheres, wine	20 metres	4	Optional	Optional	ST4
Fuel, water, light oils, acids	3 metres	1	No	Optional	ST1
LPG, small spirit tanks	3 metres	1	Sensor Only	Optional	ST1(A)
LPG, solvents, acids, fuels, Sulphur Dioxide, Chlorine	3 metres	1	Sensor & Processor	Yes	ST1AD
Refrigerant Gas	2 metres	1	No	Optional	ST1(R)
Graphic colour operator interface terminal & evaluation unit for use with VesselCheck systems	N/A	Up to 32	No	Yes	VCHMI



Excellence the World can Measure™

Rotherm Canongate Technology

Midlothian Innovation Centre, Pentlandsfield, Roslin EH25 9RE United Kingdom

T: +44 (0) 131 448 0786 **E:** sales@ct-uk.co.uk **W:** www.ct-uk.co.uk