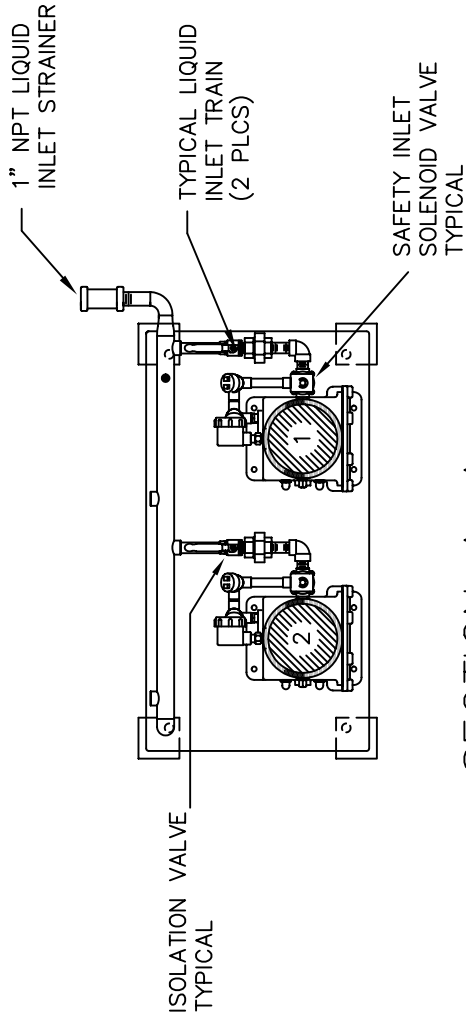
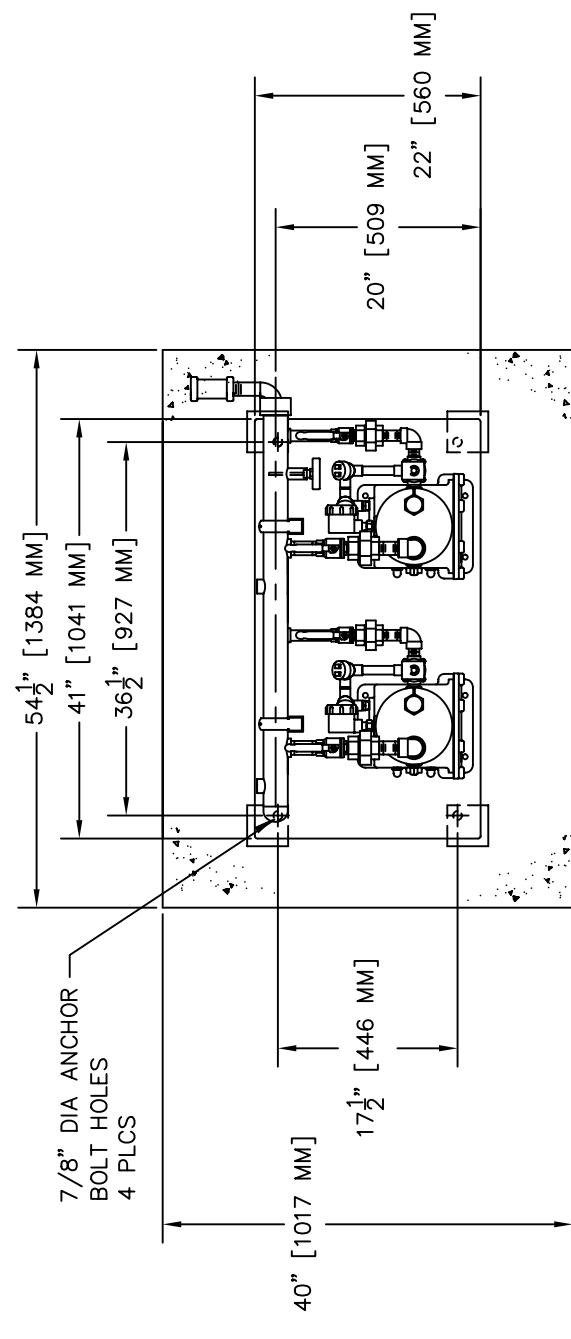
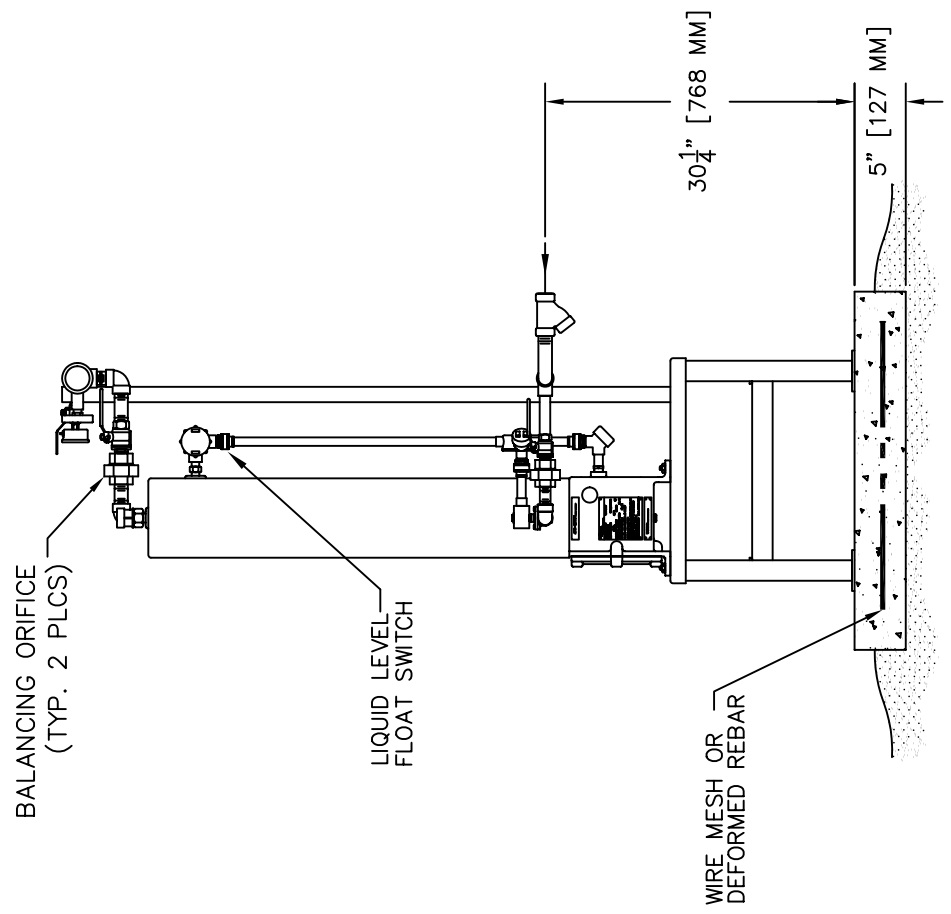
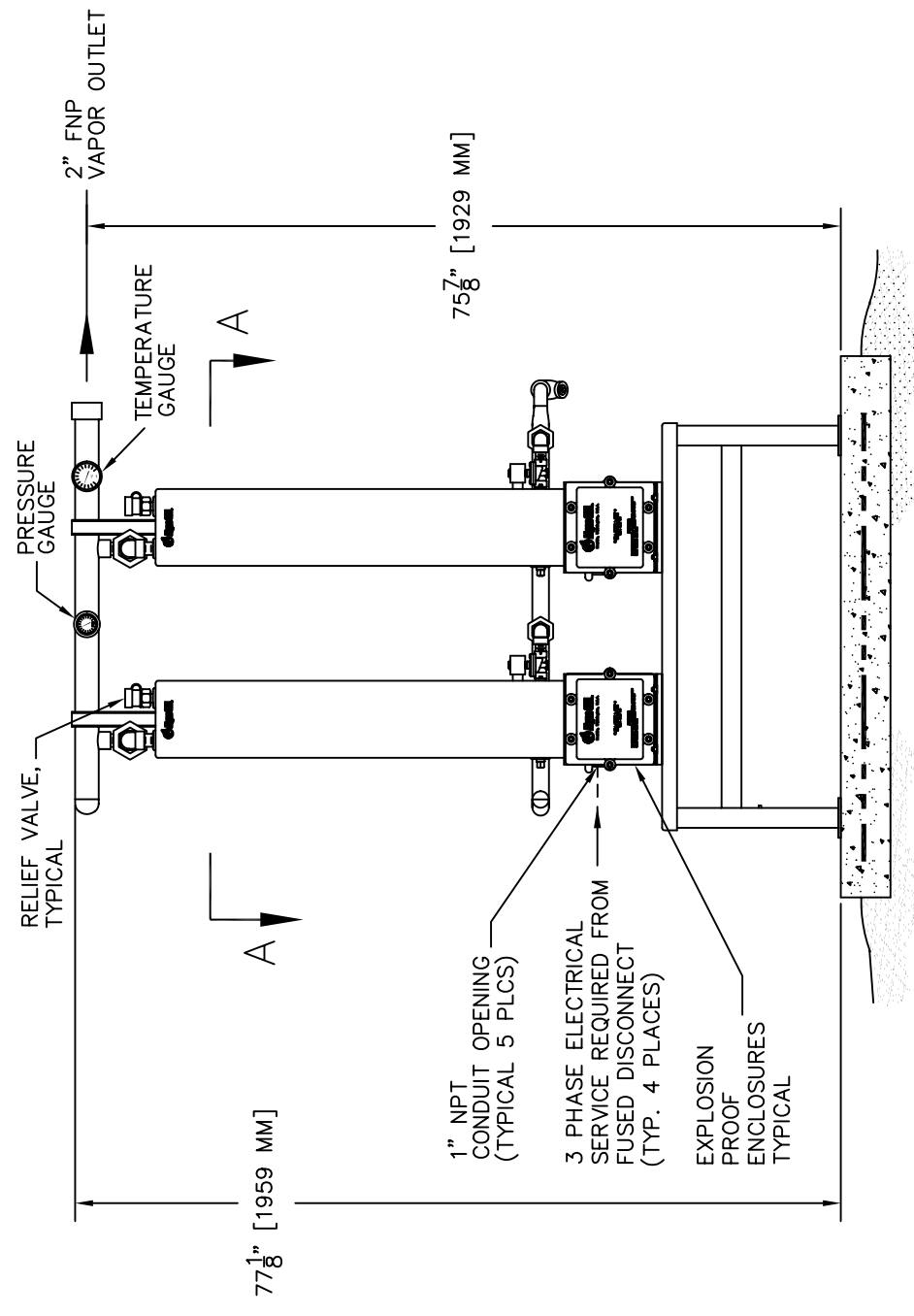


REVISIONS		Rev. by
Rev	Description	S.T.
A	1) INITIAL RELEASE	10-27-09



SECTION A-A



- NOTES
- VAPORIZING CAPACITY: PROPANE - 640 GPH @ INLET CONDITIONS OF 0F & 100 PSIG.
 - DESIGN PRESSURE: 250 PSIG
 - PRESSURE VESSEL ASSESSED BY DET NOASKE VERITAS
 - 97/23/EC, PED
 - CE COMPLIANT.
 - FOR INDOOR/OUTDOOR INSTALLATION.
 - DIMENSIONS SHOWN ±1/4"
 - APPROXIMATE WEIGHT: 1400 LBS

Algas-SDI
 151 South Michigan St., Seattle, WA USA 98108
 Tel: (206) 789-5410 Fax: (206) 789-5414

"POWER" SERIES ELECTRIC
 LP-GAS VAPORIZER
 MODEL XP320
 EQUIPMENT DRAWING

Drawn By	S. TORRES	Date	10-27-09
Checked By		Scale	NONE
Approved By		Job No.	A.S.D.I. STD.
This drawing is the property of Algas*SDI and is not to be reproduced nor used in any way without the written consent of Algas*SDI. All rights are reserved.			
Dwg. No.	0617-6004		
Size	C	Sht. No.	1 of 1
Rev	A		