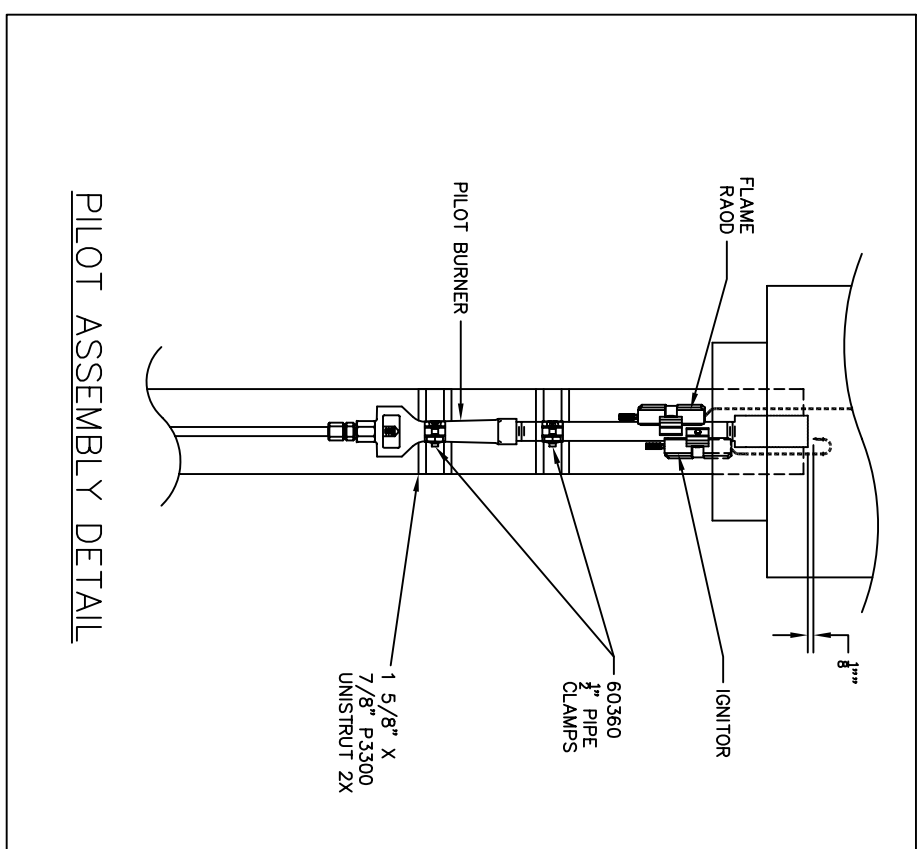
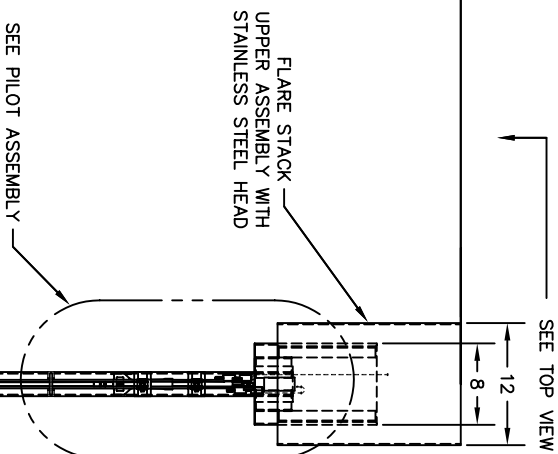
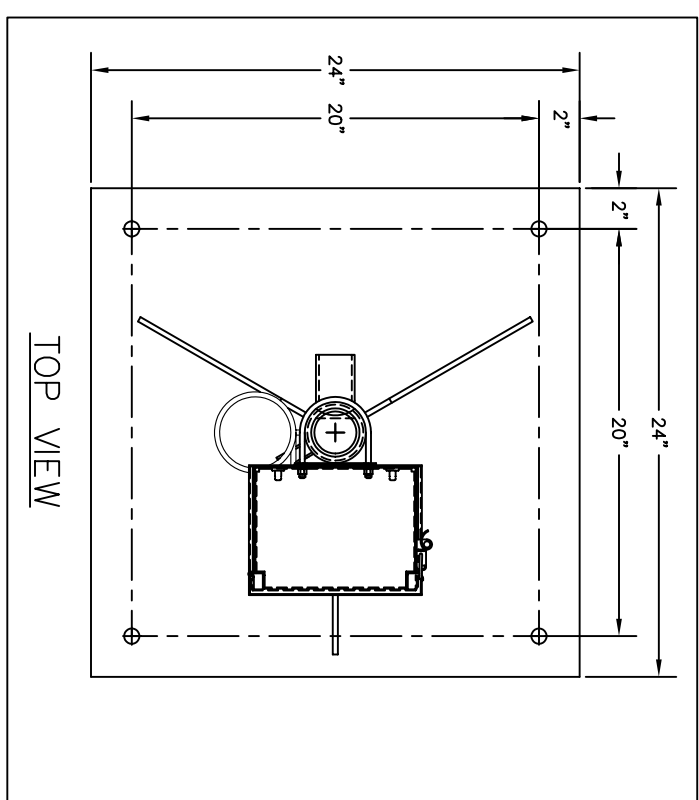
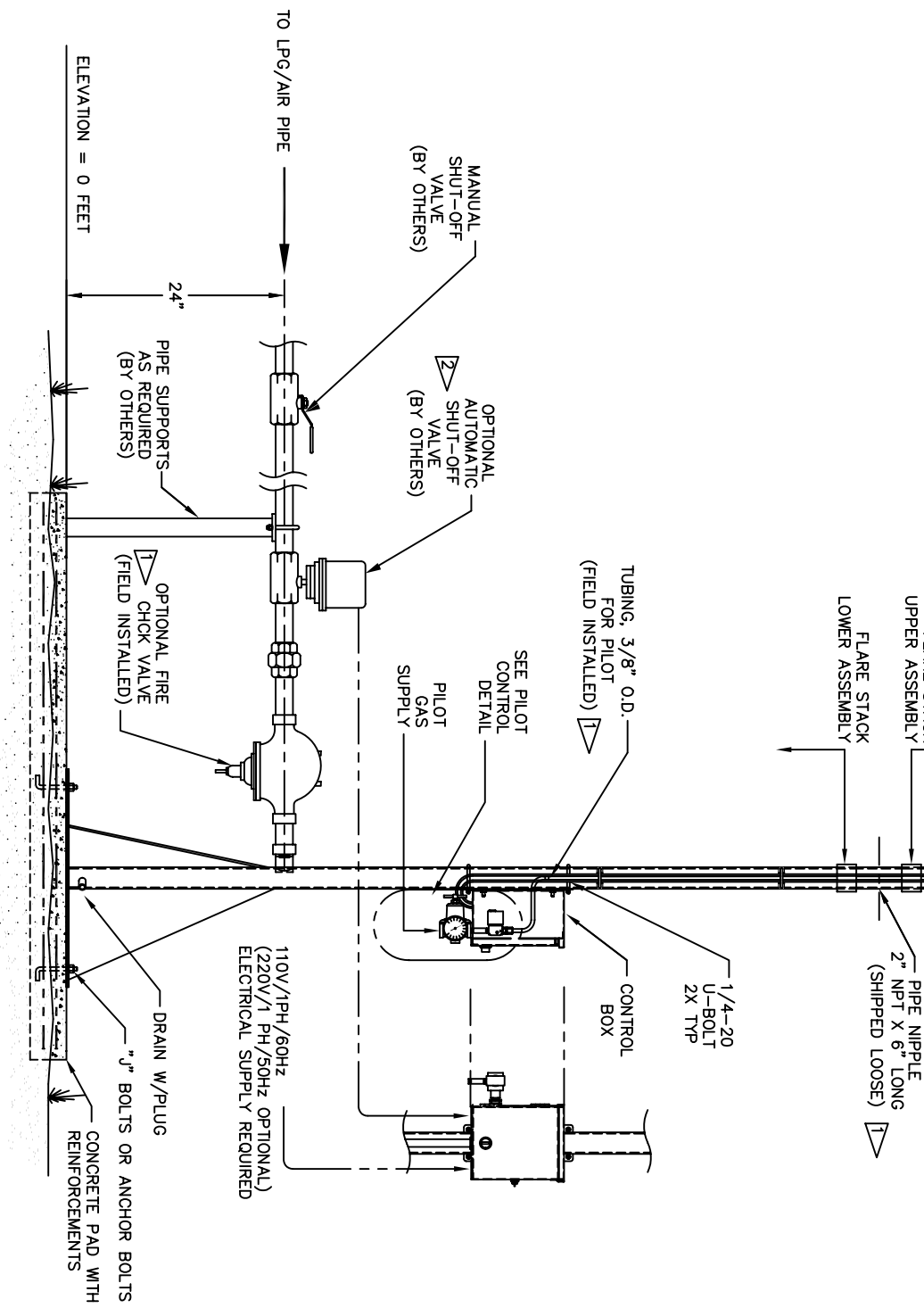


ELEVATION = 15 FEET

SEE TOP VIEW



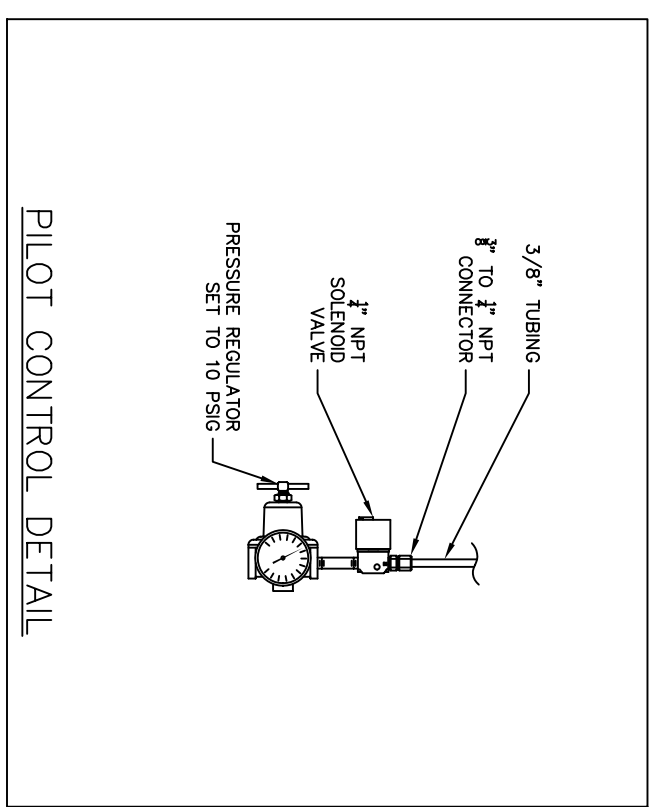
PILOT ASSEMBLY DETAIL



TOP VIEW

NOTES

- 1. FIRE CHECK, 3/8" TUBING, 2" NPT NIPPLE, CLAMPS AND FASTENERS TO BE SHIPPED SEPARATELY.
- 2. OPTIONAL DRY CONTACT FOR CONTROLLING AUTOMATIC SHUT-OFF VALVE. RATING: 7A @ 240V
- 3. AUTOMATIC SHUT-OFF VALVE REQ'S:
25 SEC - OPENING RATE
5 SEC - CLOSING RATE
- 4. FINISH: SD/PS-3 "SAM DICK BLUE" HIGH TEMP



PILOT CONTROL DETAIL

		High Capacity 120/220 VAC. FLARE STACK INSTALLATION/EQUIPMENT DRAWING	
151 South Michigan St., Seattle, WA 98108 Tel: (206) 789-5410 Fax: (206) 789-5414	Drawn By: S. TORRES Checked By: S. TORRES Approved By: S. TORRES	Date: 11-13-07 Scale: NONE Job No.: A.S.D.I. STD. Part Number: 10086	Title: HIGH CAPACITY 120/220 VAC. FLARE STACK INSTALLATION/EQUIPMENT DRAWING 1601-6004 1 of 1 Rev: B

This drawing is the property of Migas SGI and is not to be reproduced or used in any manner whatsoever without the express written permission of Migas SGI.